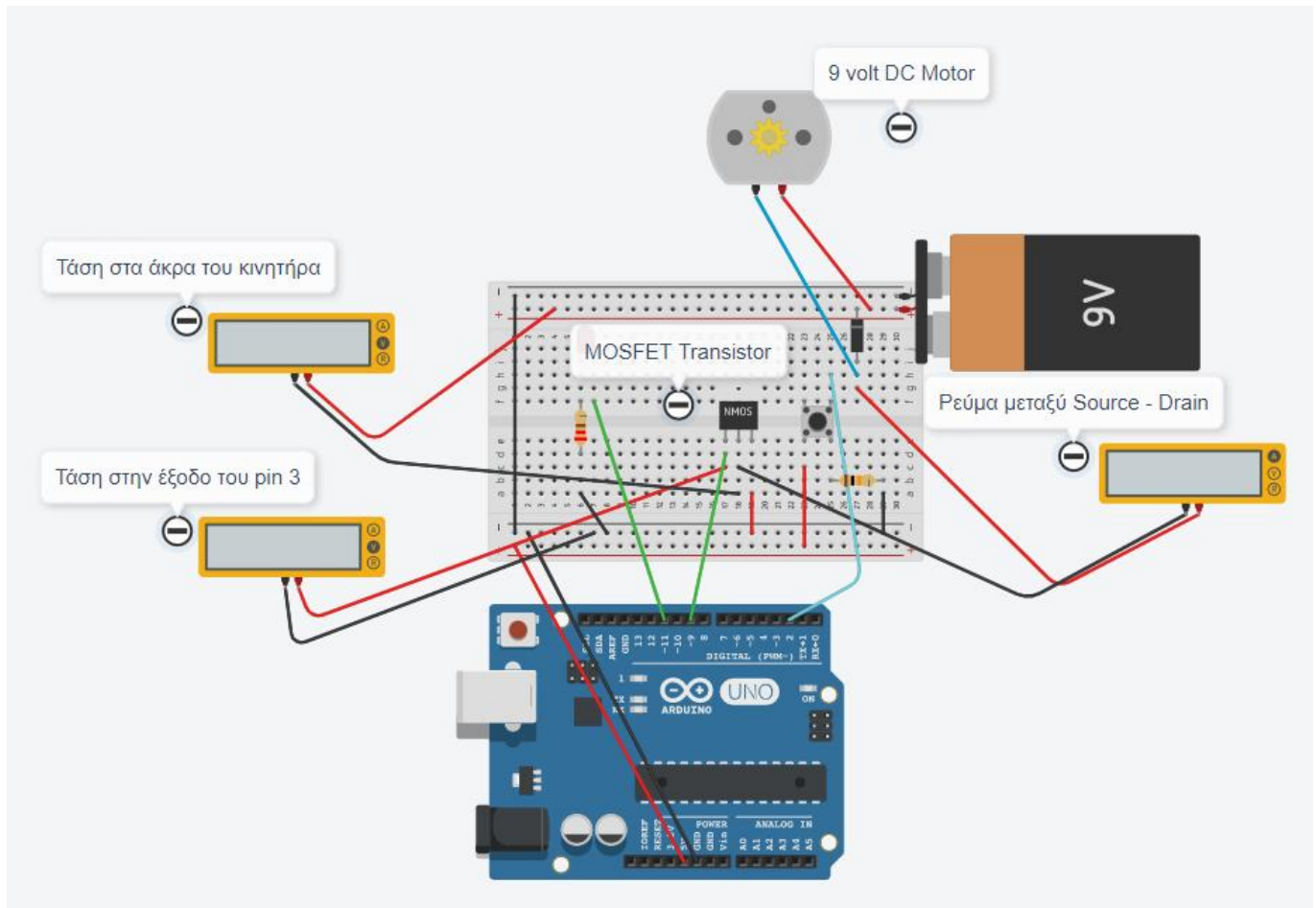


ΑΥΞΟΜΕΙΩΣΗ ΤΗΣ ΤΑΧΥΤΗΤΑΣ DC ΚΙΝΗΤΗΡΑ ΜΕ ΠΑΤΗΜΑ BUTTON (ΧΡΗΣΗ ΤΗΣ ΔΟΜΗΣ ΕΠΑΝΑΛΗΨΗΣ FOR)



```

int led = 11;
int pushButton = 2;
int motorControl = 9;

void setup() {
  pinMode(pushButton, INPUT);
  pinMode(led, OUTPUT);
  pinMode(motorControl, OUTPUT);
}

void loop() {
  if(digitalRead(pushButton) == HIGH){
    for(int x = 0; x <= 255; x++){
      analogWrite(motorControl, x);
      analogWrite(led, x);
    }
  }
}

```

```
    delay(50);  
  }  
  for(int x = 255; x >= 0; x--){  
    analogWrite(motorControl, x);  
    analogWrite(led, x);  
    delay(50);  
  }  
}  
delay(1);  
}
```